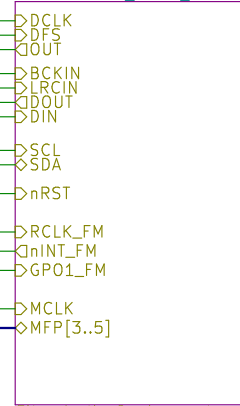


Sheet: Sheet Connectors

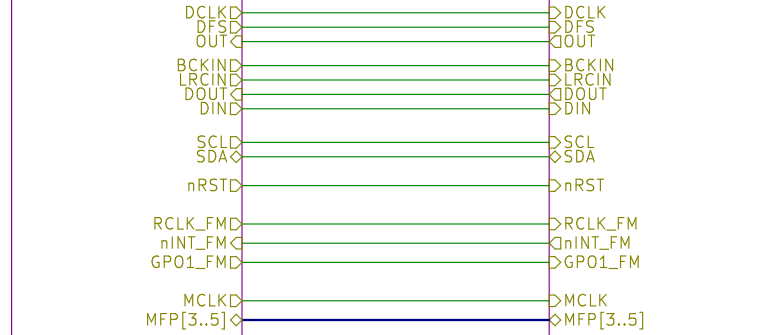


File: Connectors.sch

Sheet: Sheet Audio\_Devices



File: Audio\_Devices.sch



Created by Wolfgang Friedrich  
Pier 42 Design

This work is licensed under  
**Creative Commons Attribution-ShareAlike 4.0 International License**

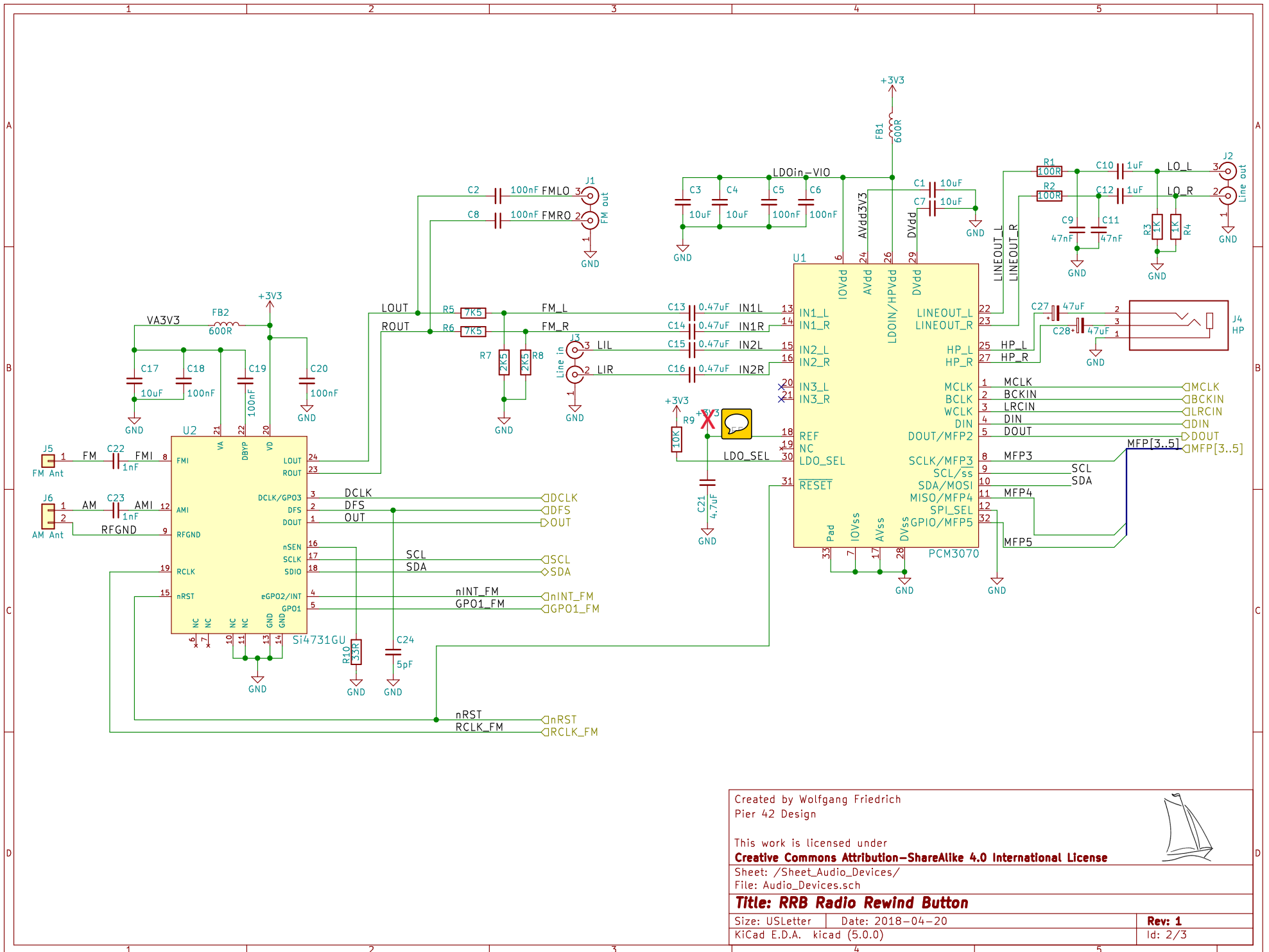


Sheet: /  
File: P42-RRB\_rev1.sch

**Title: RRB Radio Rewind Button**

Size: USLetter | Date: 2018-04-20  
KiCad E.D.A. kicad (5.0.0)

**Rev: 1**  
Id: 1/3



Created by Wolfgang Friedrich  
Pier 42 Design

This work is licensed under  
**Creative Commons Attribution-ShareAlike 4.0 International License**

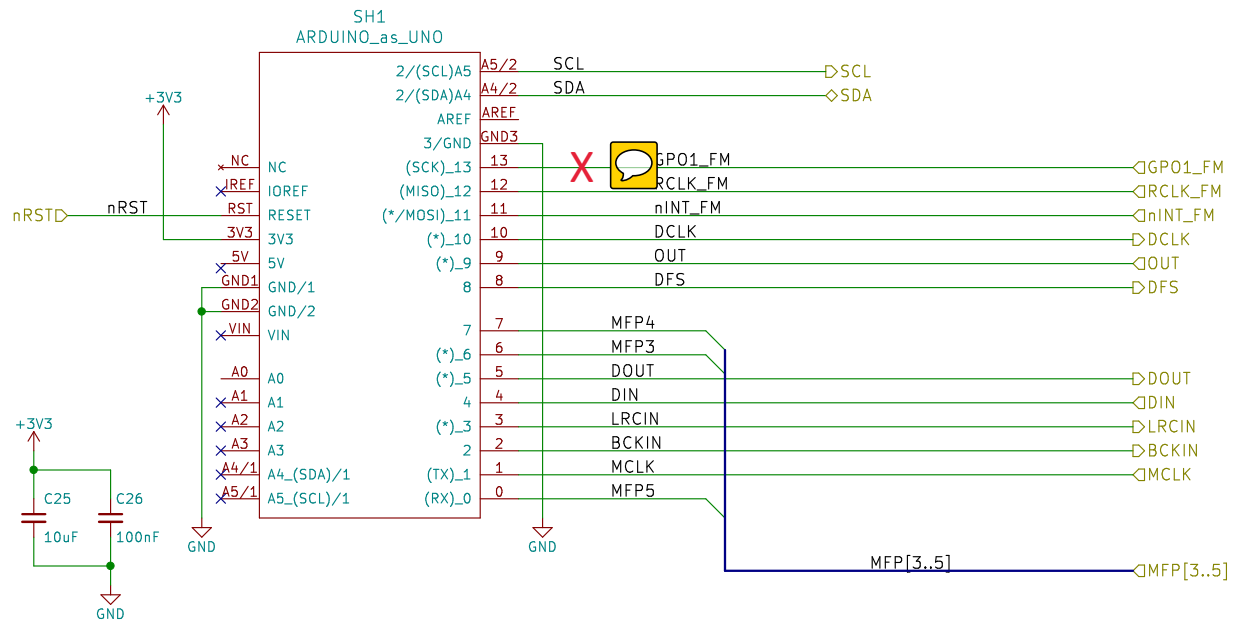
Sheet: /Sheet\_Audio\_Devices/  
File: Audio\_Devices.sch

**Title: RRB Radio Rewind Button**

Size: USLetter Date: 2018-04-20  
KiCad E.D.A. kicad (5.0.0)

Rev: 1  
Id: 2/3





Created by Wolfgang Friedrich  
Pier 42 Design

This work is licensed under  
**Creative Commons Attribution-ShareAlike 4.0 International License**

Sheet: /Sheet\_Connectors/  
File: Connectors.sch

**Title: RRB Radio Rewind Button**

Size: USLetter Date: 2018-07-22  
KiCad E.D.A. kicad (5.0.0)



**Rev: 1**  
Id: 3/3